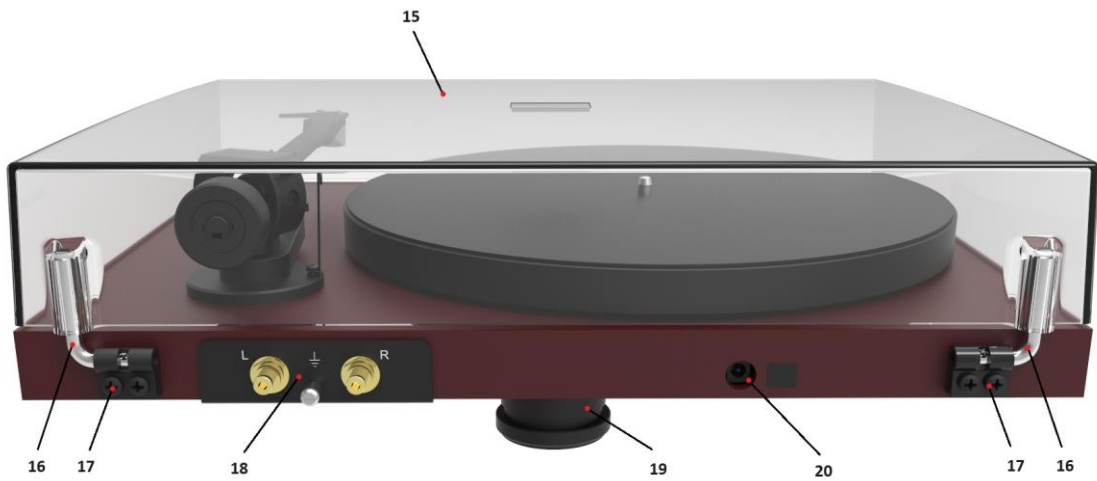
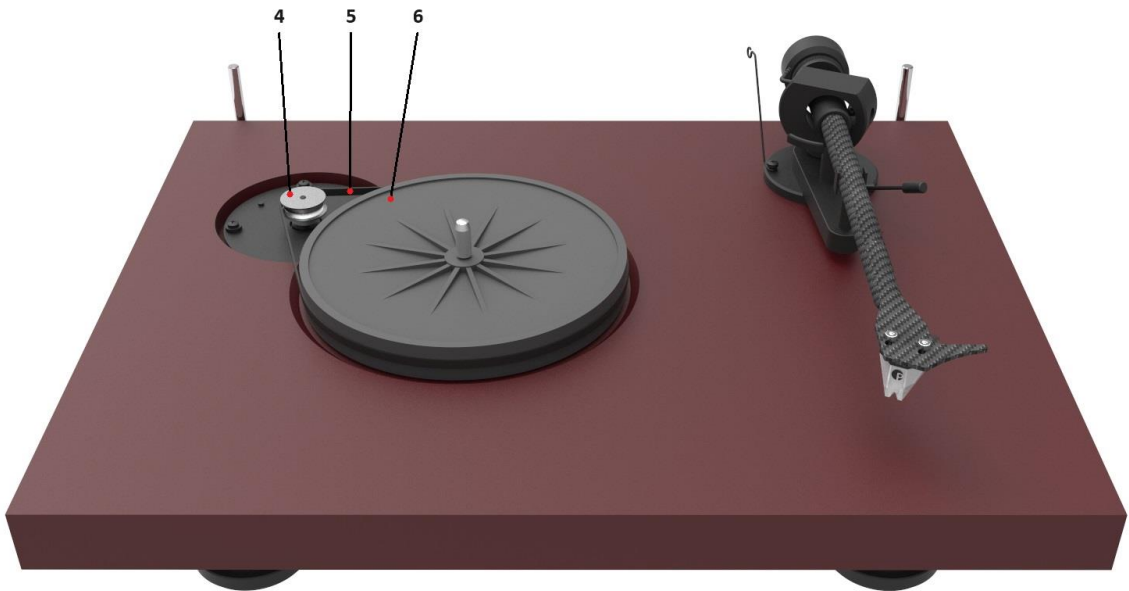
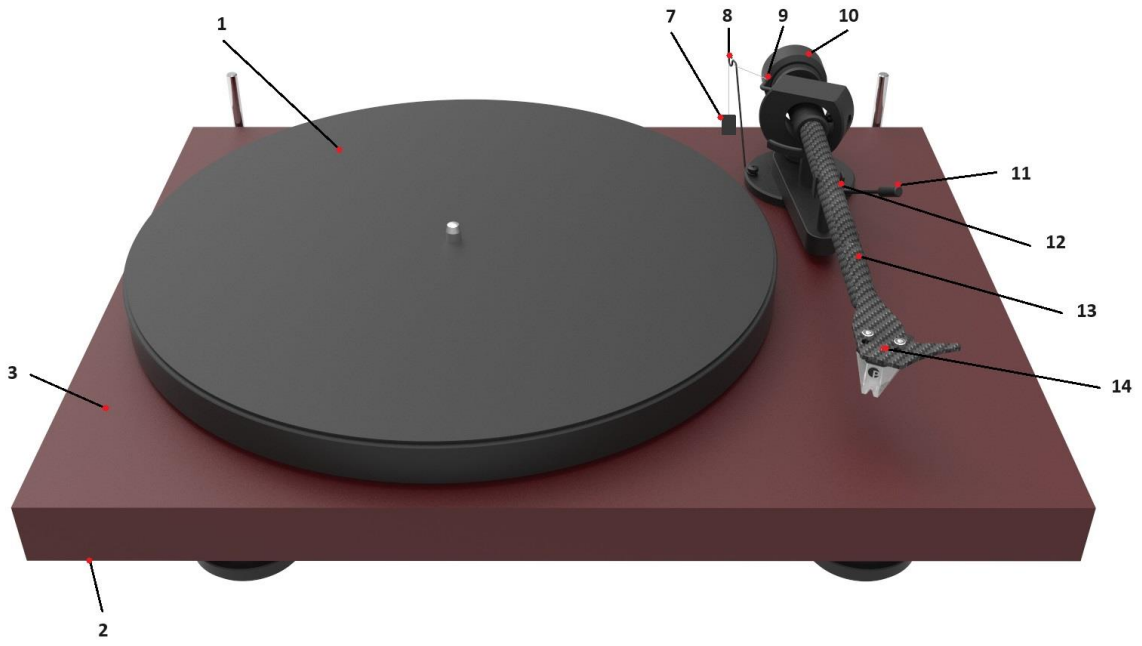


DEBUT EVO 2



GENERAL INFORMATION

Controls, features, and connections

- 1 PLATTER & FELT MAT
- 2 SPEED CONTROL BUTTON
- 3 CHASSIS
- 4 MOTOR WITH PULLEY
- 5 DRIVE BELT
- 6 SUB-PLATTER
- 7 ANTI-SKATING WEIGHT ON WIRE
- 8 ANTI-SKATING SUPPORT HOOP
- 9 ANTI-SKATING WEIGHT ADJUSTMENT SCALE
- 10 TONEARM COUNTERWEIGHT
- 11 TONEARM LIFT LEVER
- 12 TONEARM REST POSITION
- 13 TONEARM TUBE
- 14 HEADSHELL WITH PRO-JECT MM EVO CARTRIDGE
- 15 LID
- 16 LID HINGES
- 17 HINGE FASTENERS
- 18 PHONO OUTPUT SOCKET WITH EARTH CONNECTION
- 19 HEIGHT ADJUSTABLE DAMPED FEET
- 20 POWER SUPPLY SOCKET

Accessories

- a SINGLE ADAPTOR
- b ALLEN KEY 1.5mm (AZIMUTH SETTING)
- c COUNTERWEIGHT no. 00 (FOR CARTRIDGE WEIGHT 6 – 8.5g)
- d TWO-POINT CARTRIDGE ALIGNMENT PROTRACTOR
- e CONNECTION CABLE (CONNECT IT PHONO E RCA)
- f SETUP GUIDE
- g UNIVERSAL POWER SUPPLY

Dear Music Lover,

Congratulations and thank you for choosing a Pro-Ject Audio Systems record player.

Your Debut EVO 2 turntable has been handcrafted and rigorously tested by skilled technicians to give you years of enjoyable and trouble-free service.

Please contact your dealer if you require additional assistance.

Important:

Your turntable was shipped partially disassembled in order to avoid damage to sensitive parts. Please check immediately to make sure that neither the packaging nor the device was damaged in transit. If you are missing parts or if the unit is damaged, please do not operate and contact your dealer.

Contents

Product illustrations 2

Setup

1. Platter and drive belt installation 5
2. Cartridge installation, stylus exchange 5 - 6
3. Vertical Tracking Force setting (VTF) 6
4. Anti-skating adjustment 6 - 7
5. Maintenance and cleaning 7
6. Switching ON and OFF, changing replay speed 7
7. Fitting the lid 7
8. Connection to the amplifier 8
9. Azimuth adjustment 8

Technical parameters 9

Troubleshooting, warranty, service 10

Declaration of Conformity 11

Exploded view of the packaging 12

Please do your part to help protect the environment:

Disposal of packaging material:

Pro-Ject packaging is carefully designed to protect your components from damage in transit and you are strongly urged to keep the original packaging in order to safely ship or otherwise transport your turntable in the future.

However, the packaging materials were chosen to be environmentally friendly, so if you must discard the packaging, please recycle.

SETUP

1. Platter and drive belt installation

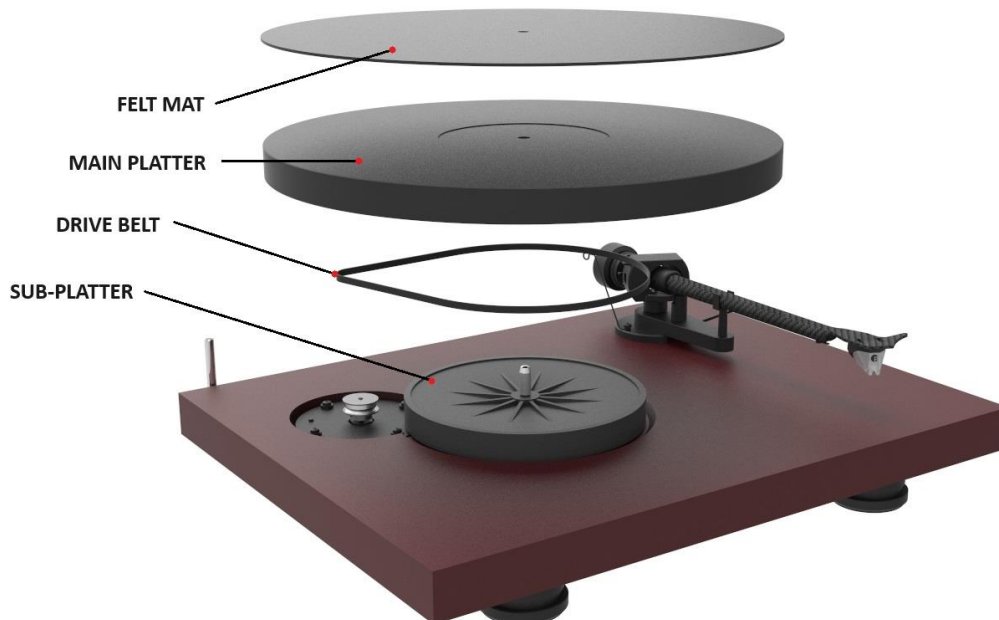
The deck is supplied partially disassembled and carefully packaged for safe transport. Carefully remove all parts from the transport packaging. The packaging illustration on the last page of this manual shows you how the turntable is packaged and where all the individual parts are located within the packaging.

Make sure the surface you wish to use the turntable on is level (use a spirit level) before placing the turntable on it.

Remove the transport lock from the tonearm. Store it in the original packaging so it is available for any future transportation.

Fit the drive belt (5) around the sub-platter (6) the motor pulley (4). Avoid getting sweat or grease on the belt as these will deteriorate the performance and reduce the belt's lifespan. Use absorbent kitchen paper to remove any oil or grease from the outer edge of the hub and the belt. Fit the platter (1) and felt mat (1) over the spindle of the sub-platter (6).

Connect the power supply to the power supply socket (20) on the turntable before connecting it to your mains outlet.



2. Cartridge installation, stylus exchange

* If you purchased this turntable in a package that included the cartridge, this has already been done for you.

Install the cartridge on the headshell, using the appropriate hardware included with your cartridge. All cartridges with half inch mounting holes can be fitted.

Connect the cartridge as indicated below:

- White left channel L+
- Red right channel R+
- Green right channel R-
- Blue left channel L-

For correct cartridge alignment, use the two-point cartridge alignment protractor provided with your Debut EVO 2 accessories. If unfamiliar with two-point setup, please refer to your dealer.

A damaged or worn stylus may harm your record collection and should be replaced.
 Please remove stylus protection before pulling the stylus from the cartridge and replace for a new one.
 Stylus type exchange for pre-mounted cartridge Pro-Ject MM EVO: Stylus MM EVO. If in doubt, consult your local dealer or distributor.

3. Vertical Tracking Force setting (VTF)

The counterweight (10) supplied is suitable for cartridges weighing between 6 – 8.5g (counterweight no. **00 – Debut line, weight 55g**).

Pushing carefully, put the counterweight (10) on the rear end of the tonearm tube (13), with the downforce scale pointing towards the front of the turntable. Lower the arm lift and position the tonearm in the space between arm rest and platter. Carefully rotate the counterweight (10) until the arm tube balances out. The arm should return to the balanced position if it is moved up or down. This adjustment must be done carefully. Do not forget to remove the cartridge protection cap if fitted.

Once the arm is correctly balanced, return it to the rest. Hold the counterweight (10) without moving it, and gently revolve the downforce scale ring until the zero is in line with the anti-skating stub. Check whether the arm still balances out.

Rotate the counterweight counterclockwise (seen from the front) to adjust the downforce according to the cartridge manufacturer's recommendations. One mark on the scale represents 1 mN (= 0,1g / 0,1 Pond) of the downforce.



Please note: When adjusting VTF, anti-skating weight and the cartridge protection cap should be removed first.

Recommended tracking force for Pro-Ject MM EVO cartridge: 1.8g (= 18 mN)

4. Anti-skating adjustment

The anti-skating force must be adjusted corresponding to the downforce.

<u>Downforce</u>	<u>Groove in the stub</u>
10 - 14mN	1 st
15 - 19mN	2 nd
20mN and bigger	3 rd



Hang the loop of the thread of the anti-skating weight in the groove of the anti-skating stub (9) corresponding to the downforce applied to your cartridge and hang the thread in the groove of the wire support (8).



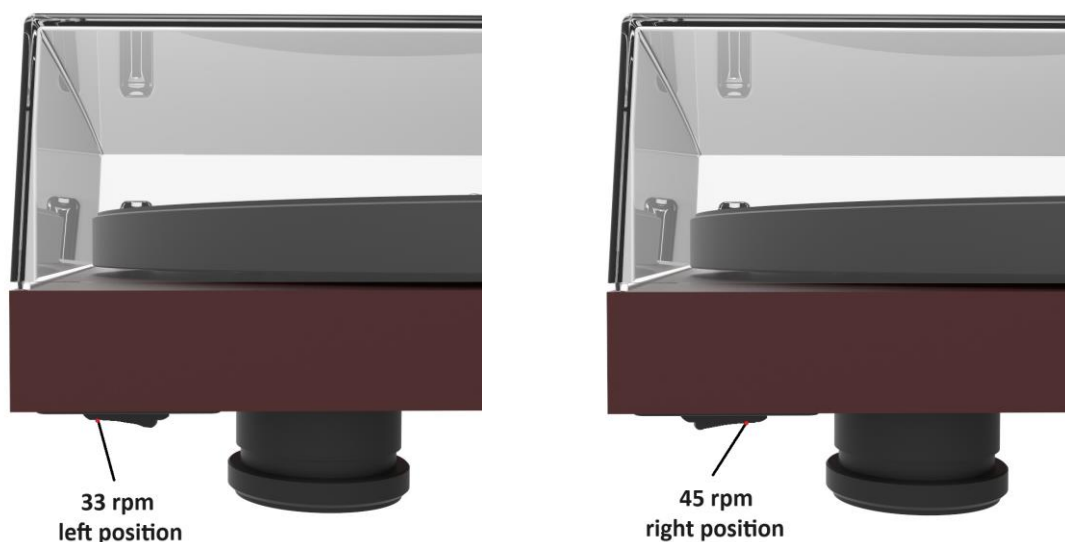
Recommended anti-skating for MM EVO cartridge: 18mN, 2nd groove

5. Maintenance and cleaning

Your record player requires little or no regular maintenance. Remove dust with a slightly moistened antistatic cloth. Never use a dry cloth because this will create static electricity which attract more dust! Antistatic cleaning fluids are available at specialist stores but must be applied sparingly to avoid damage to rubber parts. It is recommended to fit the needle cover before cleaning or maintenance is carried out to avoid damage. If the player is not used over a long period of time the drive belt can be removed to prevent unequal stretching.

6. Switching on and off, changing replay speed

The turntable is equipped with a three-position switch for ON/OFF and electronic speed change. To play records at 33 rpm, press the switch (2) to the "I" position. To play records at 45 rpm, press this switch (2) to the "II" as shown on illustration below.



7. Fitting the lid

Fit the lid (dust cover 15) carefully over the hinge prongs and adjust the screws (17) until the lid stays open where you want it to without being too stiff to open or close.

8. Connection to the amplifier

Connect the tonearm cables to the Phono input (sometimes labelled gram, disc or RIAA) on your amplifier. Make sure that the phono input offers correct matching and amplification for the type of cartridge used. Line inputs (such as CD, Tuner, Tape or Video) are not suitable.

Take care to connect the left and right channels correctly. The right channel is usually marked red, the left channel black or white. Check the manual supplied with your amplifier for relevant information. An earthing wire may be connected to the screw terminal on your amplifier you encounter hum problems when using the record player.

If your amplifier does not have an input suitable for phono cartridges you will require a separate phono amplifier stage for MM or MC cartridges which is then connected between the record player and a free line level input of the amplifier.

For detailed product information regarding Pro-Ject Audio interconnect cables and phono amplifiers please refer to the Pro-Ject website www.project-audio.com.



The included MM EVO cartridge requires a MM phono preamplifier, with recommended settings: impedance: 47kOhm; capacitance: 150pF; gain: 40dB

If your amplifier's MM phono input or MM phono preamplifier don't have switchable settings, those amp's default settings will also work reasonably well. Consider investing into a nice, dedicated phono preamp to gain more control and sound performance from your turntable.

9. Azimuth adjustment

The cartridge needle must be vertical in the record groove in order to trace the groove wall modulations correctly.

A small screw at the bearing end of the arm allows incorrect azimuth to be corrected if your needle is not mounted exactly perpendicular to the cartridge body (which is often the case).

Slacken off the screw just enough to be able to revolve the arm tube without applying force.

Note! Do not remove the screw completely!



Technical specifications Pro-Ject Debut EVO 2 / Pro-Ject 8.6" cc EVO 2

Nominal speeds	33/45 r.p.m., electronic speed control
Speed variance	33: $\pm 0.40\%$ 45: $\pm 0.50\%$
Wow and flutter	33: $\pm 0.16\%$ 45: $\pm 0.14\%$
Signal to noise	-68dB
Effective tonearm mass	7g
Effective tonearm length	8.6" (218.5mm)
Power consumption	4W
Power input	15V/ 0.8 A DC, universal power supply
Dimensions (W x H x D)	415 x 113 x 320mm
Weight	6kg
Dimensions packaging (W x H x D)	415 x 365 x 405mm
Weight incl. packaging	8kg

Technical specifications MM-Cartridge Pro-Ject MM EVO

Frequency range	20-20.000Hz
Channel separation	22dB/1kHz
Output voltage	7mV
Recommended load impedance	47kohms/amplifier connection – MM-input
Compliance/stylus type	12 \times 10-6cm/dyn @ 100Hz– elliptical
Recommended tracking force	18mN
Capacitance	150pF – 300pF
Weight	7.2g

Potential incorrect use and fault conditions

Pro-Ject turntables are manufactured to the highest standards and undergo strict quality controls before leaving the factory. Faults that may possibly occur are not necessarily due to material or production faults but can sometimes be caused by incorrect use or unfortunate circumstances. Therefore, the following list of common fault symptoms is included.

The platter doesn't turn although the unit is switched on:

- The unit is not connected to the mains power supply.
- No mains at the socket.
- Drive belt is not fitted or has slipped off.

No signal through one or other channel or both channels:

- No signal contact from the cartridge to the internal tonearm wiring or from that to the arm lead or from that to the phono box or between that and the amplifier. This could be due to a faulty plug, broken wire or solder joint or simply loose plug/socket connection.
- Correct input not selected at amplifier.
- Amplifier is not switched on.
- Amplifier or speakers are defective or muted.
- No connection to the loudspeakers.

Distorted or inconsistent sound from one or both channels:

- Record player is connected to wrong input of amplifier.
- Needle or cantilever damaged.
- Wrong r.p.m., drive belt overstretched or dirty, platter bearing without oil, dirty or damaged.

Service

Should you encounter a problem which you are not able to alleviate or identify despite the above information, please contact your dealer for further advice. Only when the problem cannot be resolved there should the unit be sent to the responsible distributor in your country.

Guarantee repairs will only be affected if the unit is returned correctly packaged. For this reason, we recommend keeping the original packaging.

Never return a record player without making sure that it is safely disassembled and correctly packaged in the original packaging according to the diagrams on the last page of this user guide. Please remove these parts and pack them separately: lid, counterweight, anti-skating weight and belt.

Fit the cartridge protection cap and the transport lock for the tonearm tube, prior to carefully packaging the record player.

Warranty



The manufacturer accepts no responsibility for damage caused by not adhering to these instructions for use and/or by transportation without the original packaging. Modification or change to any part of the product by unauthorized persons, release the manufacturer from any liability over and above the lawful rights of the customer.

Pro-Ject Audio Systems is a Registered Trademark of H. Lichtenegger.

This guide was produced by: Pro-Ject Audio Systems
Copyright © 2024. All rights reserved.

The information was correct at the time of going to press. The manufacturer reserves the right to make changes to the technical specification without prior notice as deemed necessary to uphold the ongoing process of technical development. Product images and illustrations can differ from final production specifications.

Declaration of Conformity

We, **SEV Litovel, s r.o.**
Palackého 1160/34
78401 Litovel
Czech Republic
(manufacturer)

and

Pro-Ject Audio Systems a division of Audio Tuning GmbH
Margaretenstrasse 98
1050 Vienna,
Austria
(distributor)

declare under our responsibility that the product is in conformity with the provisions of Directives:
2014/35/EU including amendments
2014/30/EU including amendments
2014/53/EU including amendments

The following harmonised standards were applied:

Health: EN62479:2010

Safety: EN60950-1:2006+A11:2009+A1:2010+A12:2011+A2:2013, EN62368-1:2014/A11:2017,
EN61558-1:2005/A1:2009, EN61558-2-16:2009/A1:2013

EMC: EN301489-1 V2.2.0: 2017-03, EN301489-17 V3.2.0:2017-03, EN55032:2015, EN55035:2017,
EN61000-3-2:2014, EN61000-3-3:2013

Radio Spectrum: EN300328 V2.1.1 (2016-11)

Pro-Ject Audio Systems a division of Audio Tuning GmbH
1050 Vienna, Austria, Margaretenstrasse 98
info@project-audio.com

